

## Baoding Longer Precision Pump Co., Ltd.

Add: 3rd/4th Floor, Building 6B, University Science  
Park Baoding National, High - Tech Industrial  
Development Zone Baoding, Hebei, China 071051  
Tel: 86 - 312 - 3110087 3138553  
Fax: 86 - 312 - 3168553  
E - mail: longer@longerpump.com  
Http://www.longerpump.com

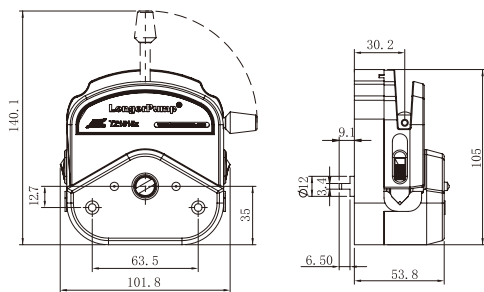
## Introduction

YZ series pump heads are designed for easy-to-use peristaltic pump system. With these pump heads, tubing loading becomes very easy and fast. The pump heads can be stackable for multi-channel pumping and adapt easily to OEM applications. PSU housing of Pump head is steady, autoclavable (150°C), but organic solvent non-resistance. The rotor adopt high performance materials. The specifications are shown as below:

Type	Product Code	Number Of Rollers	Roller Material	Housing Material	Weight (kg)
YZ1515x-A	05.01.52A	3	SS	PESU	0.4
YZ1515x-B	05.01.52B	6			
YZ1515x-C	05.01.52C	3		PPS	
YZ1515x-D	05.01.52D	6			
YZ2515x-A	05.01.53A	3		PESU	
YZ2515x-C	05.01.53C			PPS	
YZ35-13-A	05.01.58A		PSU		
YZ35-13-B	05.01.58B			1.65	

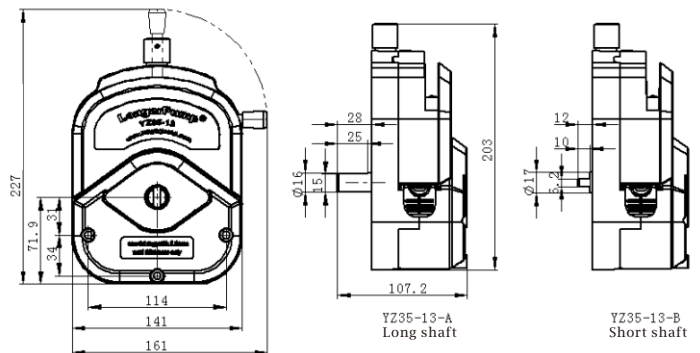
**Note:**  
PSU/PESU housing of Pump head is organic solvent non-resistant!

## Dimensions



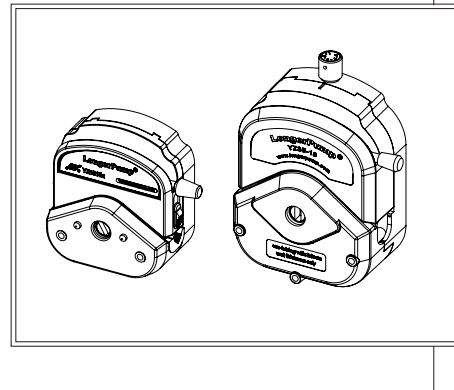
YZ1515x, YZ2515x Pump Head Installation Dimensions (Unit: mm)

## Dimensions



YZ35-13 Pump Head Installation Dimensions (Unit: mm)

## YZ Series Pump Head Operating Manual



Baoding Longer Precision Pump Co., Ltd.

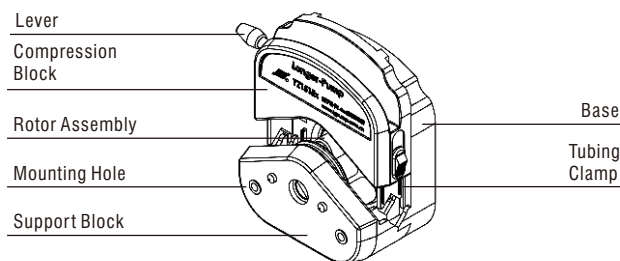
## ⚠ Important Information:

Please read operating manual carefully before operation.

## ⚠ Warning:

- Tubing breakage may result in fluid being sprayed from pump. Use appropriate measures to protect operator and equipment. Please check the tubing frequently and change the tubing in time.

## YZ1515x, YZ2515x pump head Operating Instruction



YZ1515x/YZ2515x

### ❖ Tubing Loading

- Rotate the lever 180° counter clock wise to open the compression block.
- Put up the tubing clamps on both sides. Load tubing between rollers and compression block.
- Rotate the lever 180° clock wise to close the compression block. Adjusting the tubing clamps to hold the tubing to prevent the tubing from sliding.

### 💡 Note

The tubing clamps of YZ1515x and YZ2515x pump head can fit different size tubing automatically.  
The tubing should be special tubing for peristaltic pump application.

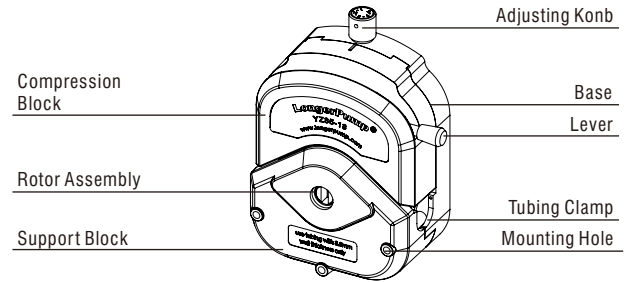
### ❖ Pump Head Installation

- Insert the two mounting screws into the mounting holes of the pump head. Insert the flat end of the pump head's shaft to the slot of drive's coupling. Then tighten the mounting screws to connecting hole of drive.
- Stackable pump heads need longer mounting screws.

### 💡 Note

Try your best to tighten the two screws in the same degree.  
Do not over-tighten the screws to prevent the support block from deforming.

## YZ35-13 Pump Head Operating Instruction



YZ35-13

### ❖ Tubing Loading

- Rotate the lever 180° counter clock wise to open the compression block.
- Load tubing between rollers and compression block.
- Rotate the lever 180° clock wise to close the compression block. Adjusting the tubing clamps to hold the tubing to prevent the tubing from sliding.
- The tubing should be special tubing for peristaltic pump application.

### ❖ Occlusion Adjustment

#### • Adjusting Procedure

After loading tubing in pump head and turn the adjusting knob clockwise to make the occlusion maximum. Insert one side of tubing in water and blow to the other side of the tubing. If there is not air bubble in water the knob doesn't need to be adjusted. If there is air bubble in water, adjust the knob clockwise until the location where there is not air bubble in water. If the occlusion is minimum there is still air bubble in water. The wall thickness is too thin to be used in this pump head.

### ❖ Pump head installation

- Insert the three mounting screws into the mounting holes of the pump head. Insert the flat end of the pump head's shaft to the slot of drive's coupling. Then tighten the mounting screws to connecting hole of drive.
- Stackable pump heads need longer mounting screws.

## Maintenance

- When the pump is idle, we recommend you to release the tubing from pressure. This helps to protect the tubing from unnecessary strain and prolongs its service life
- Keep rollers clean and dry. This will prolong the service lives of tubing and pump head.

## Warranty

The warranty period for this product is one year. If repair or adjustment is necessary within the warranty period, the problem will be corrected at no charge if it is not due to misuse or abuse on your part, as determined by the manufacturer. Repair costs outside the warranty period, or those resulting from product misuse or abuse, may be invoiced to you.