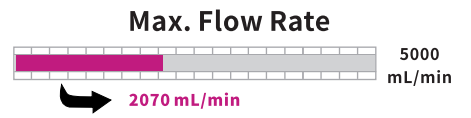


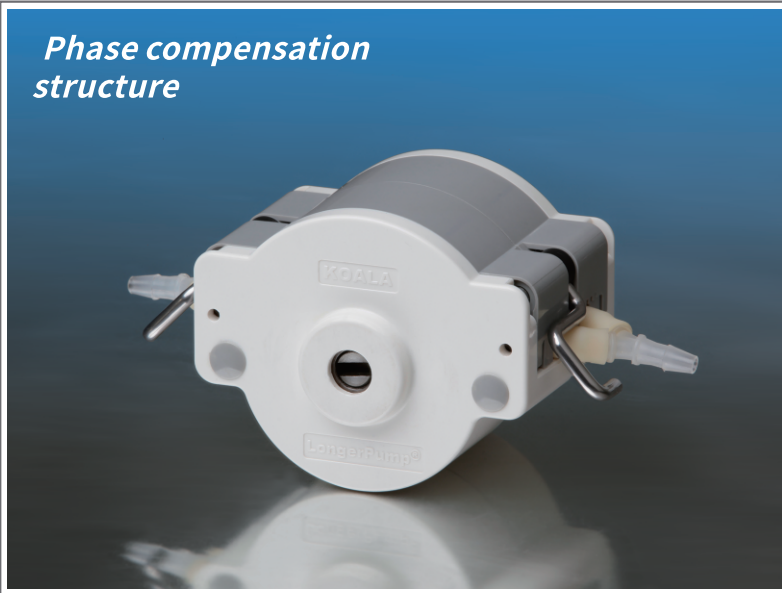
Small Flow, Low Pulse, Dispensing Pump Head



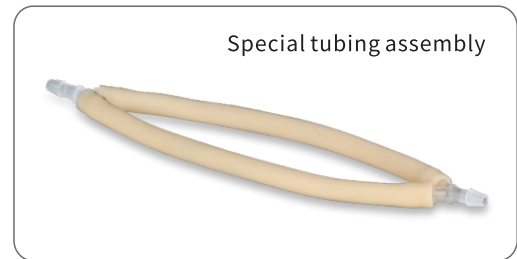
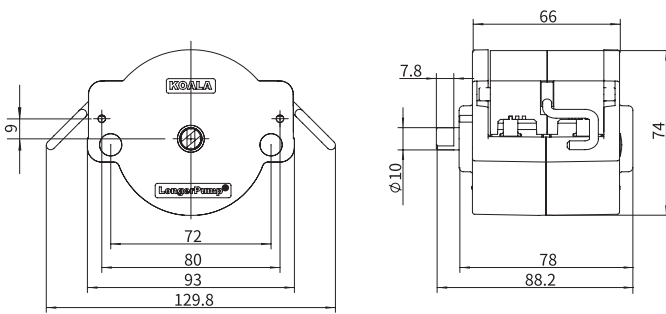
DMD15-13

PUMP HEADS

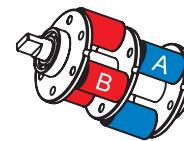
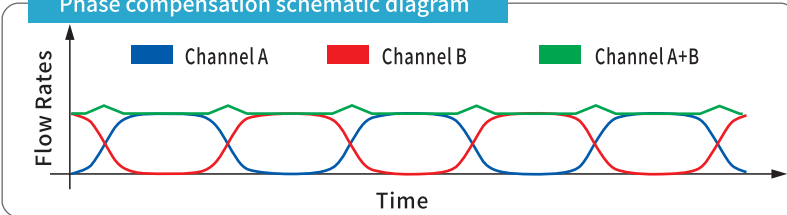
Phase compensation structure



- Special tubing assembly, low pulse, high accuracy.
- Designed for high precision and small volume dispensing.
- Compact size, easy to use.



Phase compensation schematic diagram



Phase compensation structure diagram

Model (Product Code, Housing Material)	Roller Material	Roller Number	Speed (rpm)	Tubing	Max. Flow Rate (mL/min)	Ref. Dispensing Volume (mL)	Ref. Dispensing Time(s)	Precision	Dispensing Head ID (mm)	Weight (kg)
DMD15-13-B(05.01.04B, PESU) DMD15-13-D(05.01.04D, PPS)	Stainless Steel	3	≤ 600	2×13 ^t	80	>0.8	>0.6	±2%	≤0.5	0.43
						>1.6	>1.2	±1%	≤0.5	
				2×14 ^t	300	>3	>0.6	±2%	≤1.0	
						>6	>1.2	±1%	≤1.0	
				2×19 ^t	620	>6.2	>0.6	±2%	≤1.5	
						>12.4	>1.2	±1%	≤1.5	
2×16 ^t	960	>9.6	>0.6	±2%	≤2.0					
		>19.2	>1.2	±1%	≤2.0					
2×25 ^t	2070	>20.7	>0.6	±2%	≤3.0					
		>41.4	>1.2	±1%	≤3.0					